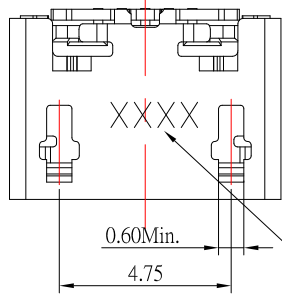




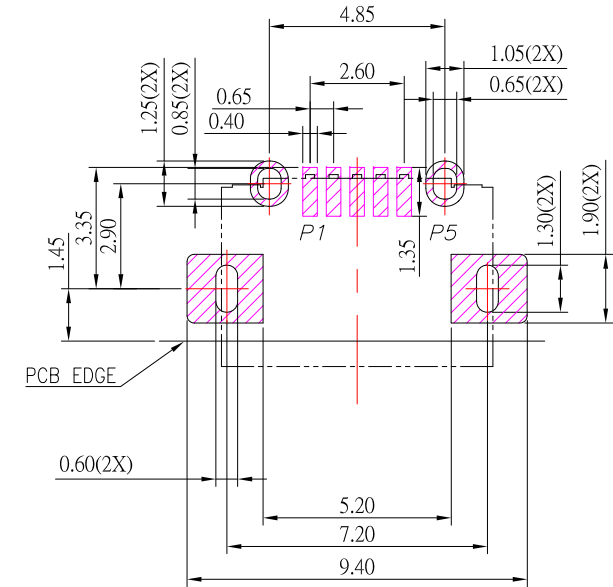
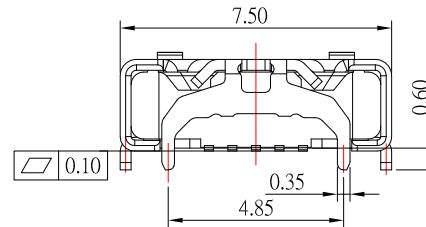
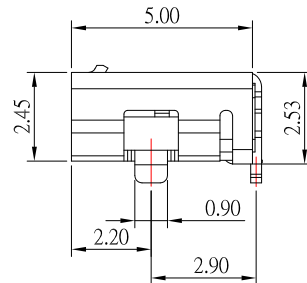
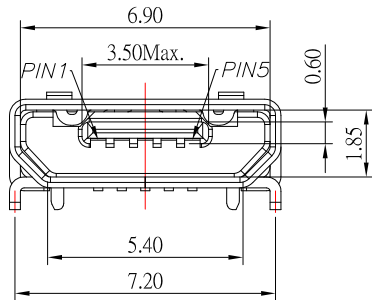
# MRUSB-5B-D22-x-S331



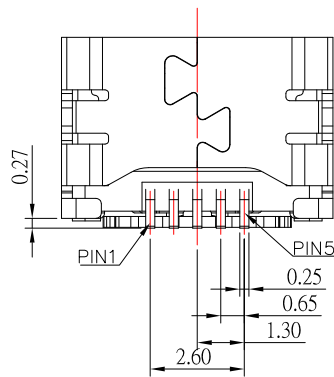
DATE CODE  
(OPTIONS SEE TABLE 1)  
CODING SEE NOTE 7

SHELL 鍍層:

TN
NI



P.C.B LAYOUT MOUNTING PATTERN



### MICRO USB PIN ASSIGNMENTS

PIN NUMBER	SIGNAL NAME
Pin1	VBUS
Pin2	D-
Pin3	D+
Pin4	ID
Pin5	GND

### NOTES:

#### MATERIAL:

- 1.1 HOUSING: LCP
- 1.2 CONTACT: BRASS
- 1.3 SHELL: SUS

#### Finish:

- 2.1 Contact: Plated Gold in Mating Area ;  
Gold Plated on Solder Balls  
Nickel under plated overall
- 2.2 Shell: Nickel or Tin under Plated surface layer

### 3.SPECIFICATION:

- 3.1 CURRENT RATING: 1.8 A MAX(VBUS & GND)  
0.5 A MAX(OTHER)
- 3.2 DIELECTRIC WITHSTANDING VOLTAGE: 100 V(ac) FOR 1min
- 3.3 CONTACT RESISTANCE: 30 mΩ MAX.
- 3.4 INSULATION RESISTANCE: 100 MΩ MIN.
- 3.5 TEMPERATURE RANGE: -25°C ~ +85°C

**CONTACT** 建倚科技股份有限公司  
CONTACT TECHNOLOGY CORP.

TOLERANCE UNLESS OTHERWISE STATED:

Up to 5 ±0.2  
Above 5 ~ 15 ±0.3  
Above 15 ~ 30 ±0.4  
Above 30 ~ 50 ±0.5  
Angle ±0.3°

3RD. ANGEL'S



UNITS

MM

DRAWN BY:	DATE	MAT'L	TITLE	CONNECTOR
Jack Lu	09/10/20			
CHECKED BY:	DATE	FINISH	MODLE	MICRO USB 4 腳全插(牛角型) 無柱無捲邊 PH 4.85- 7.2mm 腳距2.90 腳長 0.6mm
Jacky Chen	09/10/20			
APPROVED BY:	DATE	SCALE	DWG NO.	MRUSB-5B-D22-x-S331
Tony Kao	09/10/20	1 : 1		
		SHEET NO.	PART NO.	MRUSB-5B-D22-x-S331
		1 of 1		
				SIZE A4
				VER R

ITEM NO.	DESCRIPTION	DRAWN	DATE